



*Shenzhen Orient Components Co., Ltd*

---



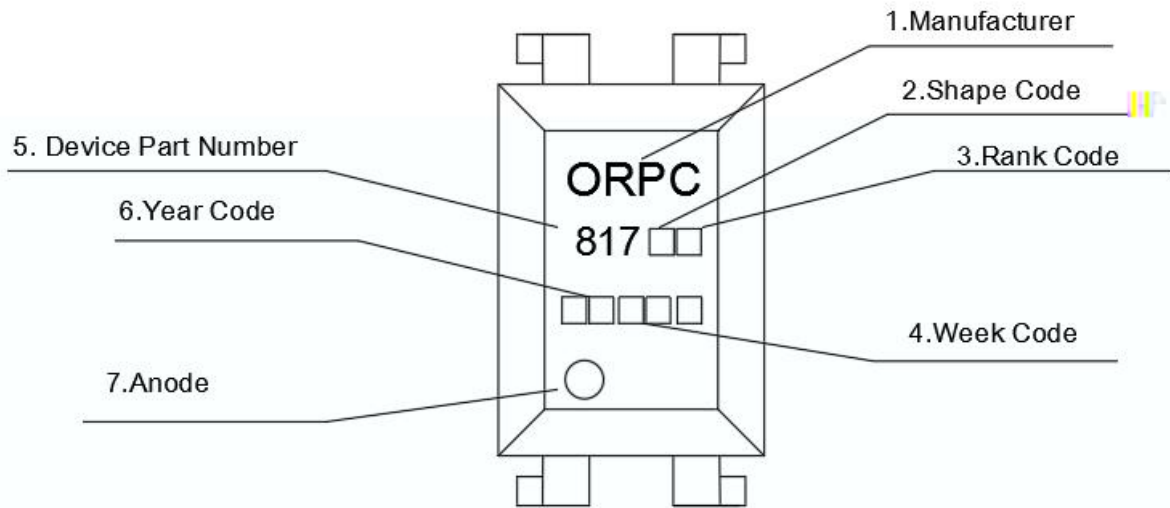


5. E -O a C a a (Ta=25 )

Pa a		S b	C	M	T .*	Ma	U
I							
O							
T a C a a							

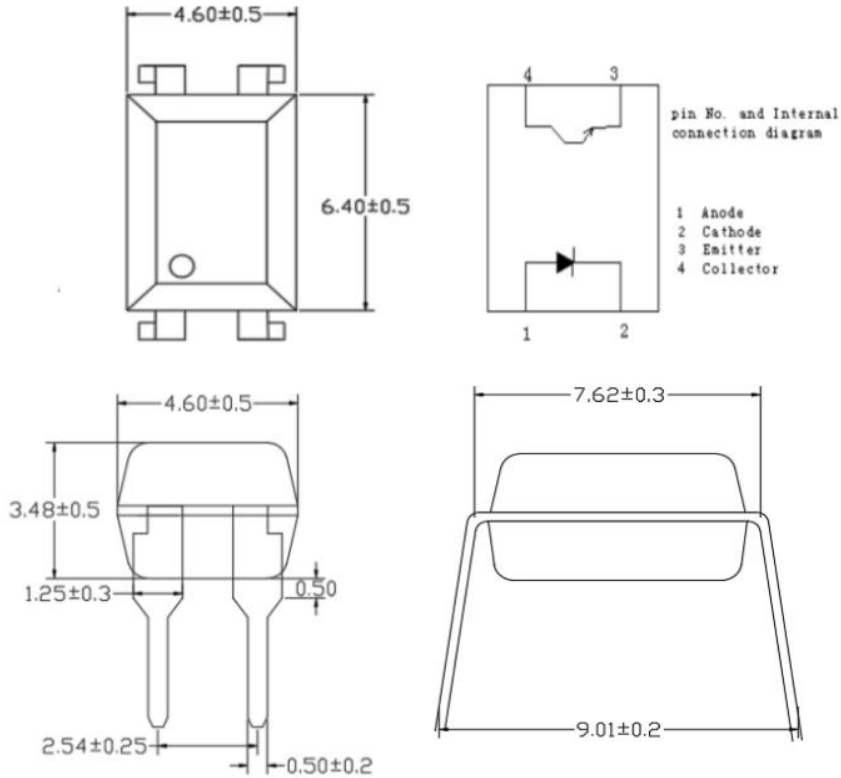


## 7. Naming Rule



## 8. Package Dimension (Unit mm)

### (1) ORPC-817



### (2) ORPC-817M

