

CUSTOMER

PRODUCT NAME

FUSE

MODEL DETAIL

SMT T3.15A 250V (TIME-LAG)

PART NO.

SMT1315AP

SUPPLIER

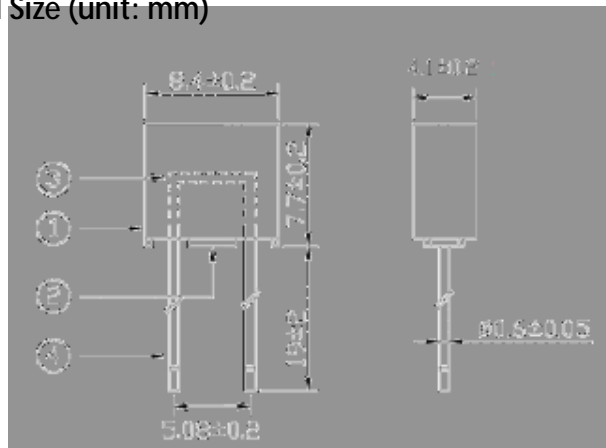
SHENZHEN LANSON ELECTRONICS CO., LTD.

A18

1 Scope of application

2 Relevant Standards and Certification

3. Structure and Size (unit: mm)



4. Material Details

5. Marking



6. Appearance

7. Mechanical characteristics

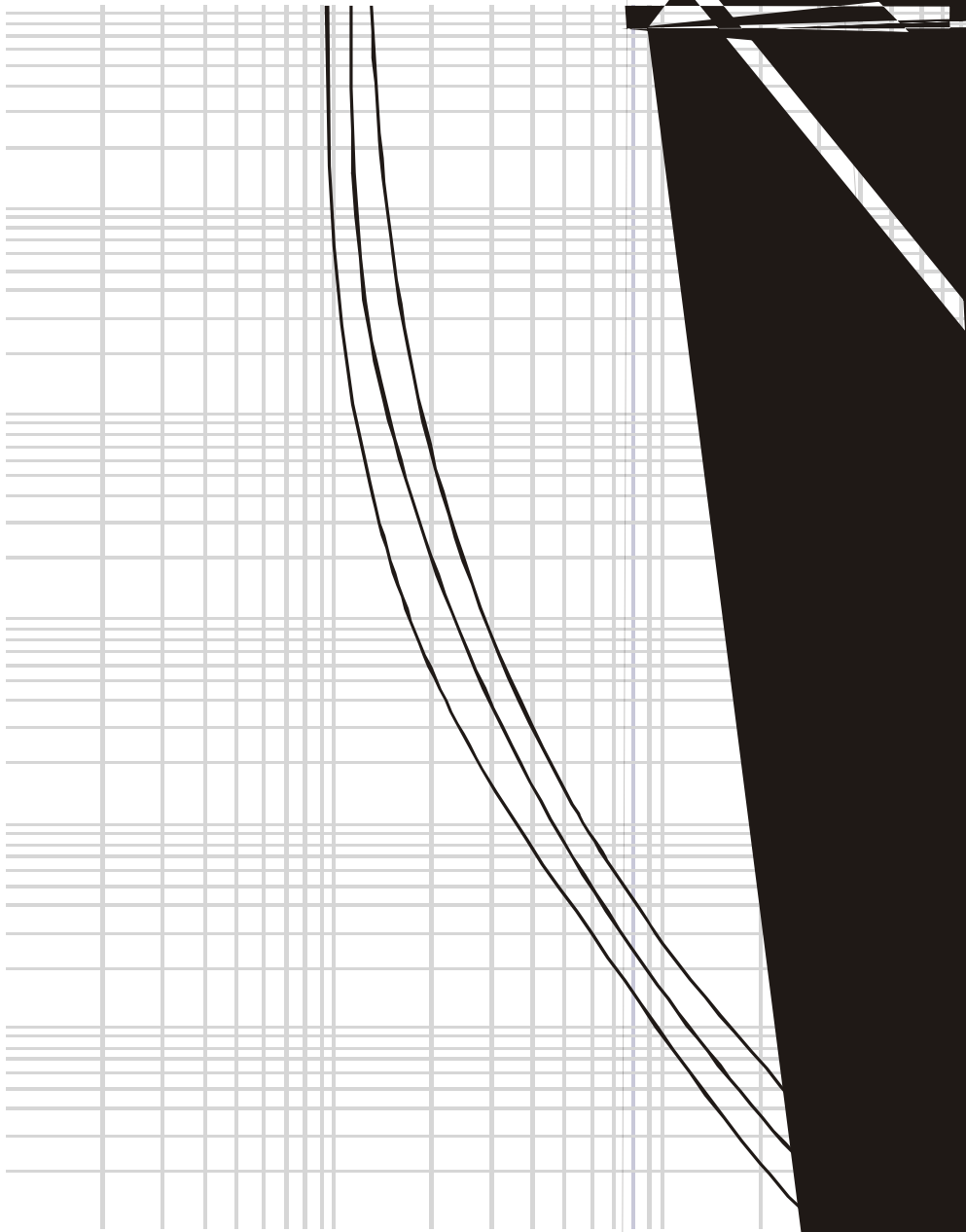
8. Electrical characteristics



9. Environmental characteristics

10. Packing





2022/2/14

JDYX2.E221465

UL Product IQ™

165 - Fuses, Supplemental - Comp

JDYX2.E221465 - Fuses, Supplemental

SHENZHEN LANGSON ELECTRONICS CO LTD
A18TH BLDG
3 INDUSTRIAL ZONE
FUQIAO FU YONG TOWN, BAO'AN DISTRICT
SHENZHEN, GUANGDONG 518133 China

E221465

Category	Part No.	Size mm(in)	Amps (A)	Volts (V)
5D		5.2 x 20 (0.20 x 0.79)	4-7	125V
			4-7	250V
			8-10	125V
			8-10	250V
5F		5.2 x 20 (0.20 x 0.79)	0.125-0.315	125V
			0.125-0.315	250V
			0.4-0.8	125V
			0.4-0.8	250V
			1-6.3	125V
			1-6.3	250V
5K		5.2 x 20 (0.20 x 0.79)	1-6.3	250V
			0.2-0.8	125V
			0.2-0.8	250V
			1-6.3	125V
			1-6.3	250V
5M		5.2 x 20 (0.20 x 0.79)	8-15	125V
			8-15	250V
			0.5-0.8	250V
			1.0-3.15	250V

<https://iq.ulprospector.com/en/profile?e=60059>

SPT

SQT

Supple

SMT

Supple

12D

202

(2/2/14

JL P

SHENZ
A18TH
3 INDU
FUQIA
SHENZ

http:

s://ic,ulp

DIN
DIN
IEC
IEC
IEC
IEC

VDE Prüf- u.
VDE Testing
Zertifizierung

VDE Zertifikate sind
VDE certificates

VDE Prüfzeichen

Name und Sitz des
Shenzhen Lans
DISTRICT, SHI

Aktenzeichen / File n
5002979-1170-0

Dieses Blatt gilt nu
This supplement is

Kleinsteicher Sub-miniatur

Typ(en) / Type(s)

- SMT T500mA25
- SMT T630mA25
- SMT T800mA25
- SMT T1A250V
- SMT T1,25A250
- SMT T1,6A250V
- SMT T2A250V
- SMT T2,5A250V
- SMT T3,15A250
- SMT T4A250V

Bemessungsspan
Rated voltage

Normblatt
Standard sheet

Kennzeichnung de
Characteristic sym

Bemessungsauss
Rated breaking ca

Zeitstrom-Charak
Time/current-char

Anmerkung
Remark

Dieser Zeichen
CE-Kennzeichnunge
grundlegenden S
This Marks Appl
his agent and p
2014/35/EU.

Fortsetzung sieh
continued on page

Zertifizierungsins nung

ers / Name and registered seat of th
. Ltd., A18th Bldg., 3rd Indus
ong, CHINA

OC2 / EUL

it Blatt 1 des Zeichengenehmigu
unction with page 1 of the Certifi

Bem
R

AC 250 V

4

T

35 A bzw. 10 x In
35 A resp. 10 x In

träge
time-lag

Die Prüfspannung in Abs
The test voltage in clause

Ausweis bildet eine Gr
ersteller oder dessen Bevoll
ngen der EG-Niederspannu
for the EC Declaration of Con
mity with the essential safet

VDE Prüf- und Zertifizierungsinstitut Zeichengenehmigung

Name und Sitz des Genehmigungs-Inhabers / *Name and registered seat of the Certificate holder*
Shenzhen Lanson Electronics Co. Ltd., A18th Bldg., 3rd Industrial Zone, Fuqiao
DISTRICT, SHENZHEN, Guangdong, CHINA

Zeichen / *File ref.* letzte Änderung / *Last change*
Akter 979-1170-0005 / 234779 / CC2 / EUL 2017-0

Dieses Blatt gilt nur in Verbindung mit Blatt 1 des Zeichengenehmigungsausweises Nr. 400
This supplement is only valid in conjunction with page 1 of the Certificate No. 40012592.

VDE Prüf- und Zertifizierungsinstitut GmbH
VDE Testing and Certification Institute
Fachbereich CC2
Sektion CC2

VDE Prüf- und Zertifizierungsinstitut

Ausweis-Nr. /
Certificate No.
40012592

Name und Sitz des Genehmigungs-Inhabers / Name and registered seat of the Certificate holder
Shenzhen Lanson Electronics Co. Ltd., A18th Bldg., 3rd Industrial Zone, Fuqiao Fuyong Town, 518103 BAOAN DISTRICT, SHENZHEN, Guangdong, CHINA

Akterzeichen / File No.
5002979-1170-0015 / 234779 / CC2 / EUL

Dieses Beiblatt ist Bestandteil des Zeichengenehmigungsausweises / This supplement is part of the Certificate No. 40012592.

letzte Änderung / updated
2017-03-20 Datum
2004

Kleinleistungsbauweise / Miniature fuse-link

Fertigungsstätte(r) / Place(s) of manufacture

Referenz / Reference
30014703
Shenzhen Lanson Electronics Co. Ltd.
A18th Bldg., 3rd Industrial Zone
Fuqiao Fuyong Town
518103 BAOAN DISTRICT, SHENZHEN, Guangdong, CHINA

VDE Prüf- und Zertifizierungsinstitut GmbH
VDE Testing and Certification Institute
Fachbereich CC2
Section CC2

VDE Pr Zeichen

Name und Sitz de
Shenzhen Lar
DISTRICT, SH

Aktenzeichen / Fi
5002979-1170

Dieses Blatt gilt
This supplement

Genehmigung VDE:

Grundlage für
Zertifizierungs
bezeichnete
zugeordneten
Herstellung de
Die Genehmig
haben, sofern
zurückgezoge
Der Gültigke
gesetzlichen
einem frühere
Produkte, die
2009/251/EG
Der VDE-Zeic

Approval to t
Basis for the
(www.vde.com
named places
shall be equip
The approval i
unless it is with
The validity per
or normative re
Products conta
market accordi
The approval is



管,

性由

联系

自

方

自

编

自

时

自

状

变

>>

生

生产
者名
称

生产
者联
系人

产

产
品
号

产



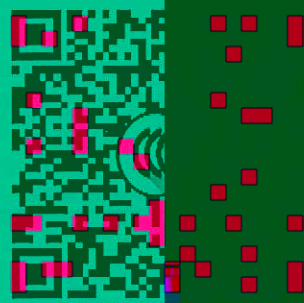
声明符合性信息报送系统

用于强制性产品认证自我声明符合性信

相关企业、
与联系
相关认证机构及实验室提供,数据的真
相关企业、认证机构和实验室。如需挂

产
品认证结果
207
243122)

070
00101
8



2020970203

3007
7432122743
生产
者地
址:
广东省深圳市宝安
桥头第三工业区二
(第二、三层)

433
36
电
子
邮
箱:
engineering@lens

产
品
称
类别名
小型熔断器
的管状熔断
体
依据的强制
性产品认证
规则

产
品
系列、型号、规格
依据的标准

超小型熔断体

生产企业信

生产企业名称

深圳市良胜电
有限公司

附件信息

序号	附件名
1	生产者及

電気用品安全法

電気用品安全法
第2条の経路
に
I hereby certify
Article 2 of Electr
the ordi
of Para
graph 1 of

1. 証明書
Statement
2. 交付年
Effective
3. 有効年
Date of Va
4. 申込
住
Address

氏名又
Name

5. 特定電気
Name of Pr
6. 型式の
Type Class
7. 製造
住
Address

氏名又
Name

8. 適用
Appl Stand

9. 適合性
Conformity

- 1) 試験
解
With
desc
spec
tion
- 2) 当該
電
ぞ
With
of t
Enf
Aspect
technic
erent F

10. 注

1) この
上で
品を
す

This
Electr
which
Mater

2) この
の組

This
the Typ

適合同等証明

Statement of Conformity

型式の Type Classification

要			
定格電圧 Rated voltage	Factor		(2)
定格電流 (定格電流表示のあるもの) Rated current (limited to those with rated current markings)		この場合に限る。	(1) 5A
適用電動機の定格容量 (定格電流表示のないもの) Rated capacity of those without rated current markings	適用電動機 (定格電流表示のないもの) Applicable motor (limited to those without rated current markings)		-
可溶体の主材料 Fuse element materials			(5) Copper
可溶体の数 Number of fuse elements			(1) One
再使用 (管形ヒューズを除く。) Reusability (excluding cartridge fuses)			(2) Not
内部充てん物 (管形ヒューズを除く。) Filler materials (excluding cartridge fuses)			(2) With
筒 (内筒を除く。) Outer cartridge materials			(7) Other
端子 Terminals	材料 Materials		(5) Other
排気孔 Exhausting opening			(2) With
溶断の表示 Blowout fuse indicator			(2) With
用途 Application	用途 Application		(2) For
定格遮断電流 Rated breaking capacity			(1) 100%

전기

Electrical

안전인증번호 (Certificate No.)	SU05026-7
제조업자 (Factory)	Shenzhen
대표자 (President)	Mr. Xianni
제조공장 (Factory Address)	A18th Bldg Baoan Dis
제품 (Product)	소형퓨즈(형)
기본모델 (Basic Model)	SMT T3.15
정격 (Rating)	T3.15A, A
파생모델 (Series Model)	SMT T4A
적용기준 (Standard)	K60127-1(2)

「전기용품안전관리법 시행규칙」 제12조 제1항에 따라
We Issue Electrical Appliance Safety Certificate for the following
of the Electrical Appliances

전기
K

※ 이 인증서는
법률이 적용되는 전기용품안전 관리법 제12조 제1항에 따라
본 제품의 경우에

- 첨부 (Annex)
1. 안전인증 신청서
 2. 기술사서 (관리부품 및 제조공정 등)
 3. 안전인증 관련 모델·파생모델의 안전인증 신청서

안전인증

Safety Certification

1. 본 인증서 또는
적합한 경우
valid only
form the
2. 안전인증
방법으로
or cancellati
certificati
misled to
3. 다음과 같은 사
안전인증 또는
재교부 또는
self-regula
reissued for re

 - 1) 제조사, 대표
such as fa
 - 2) 파생도
series of
 - 3) 안전관
(s) mo
 - 4) 인증서
리부
confir 또는
matio

4. 안전인증
holder) or
with the
follow

 - 1) 안전인
certifi
※ 안전
전인증
의 거 처
be
 - 2) 자체관
※ 안전
전인증
안
co
sta
standa

5. 안전인증
정기검사
shall rece
the Elect
decree o
(연락처:
(Contact
point

첨부 1 : 안전관리부품
List of Critical Components

부품명 (회로기호) Component(Part no.)	부품 및 재질목록 Components			
	제조사(상표명) Manufacturer(Brand)	모델명(형식) Model(Type)	정격 또는 특성 Rating or Characteristic	인증마크 Tested by
	Not Applicable			

유의사항 (Attention)

- 안전관리부품은 전기안전관리하는 사항입니다. 안전인증기관에 인증된 부품으로서 안전인증기관에 대한 변경사항이 있을 경우, 전기안전관리법에 따라 상시목록에 기재된 사항을 변경신청을 하여야 합니다. *As the "Critical components" are parts in directly related to safety, these components shall be checked during a factory inspection above, the certification body. In case of applying multiple listing or changing the items, the Safety Certificate shall be checked for changing the items. The Safety Certificate will be cancelled under the Safety Control Law for Electrical Appliances if the contents of the Certification is altered without our authorization.*
- 인증변경신청 없이 취소사유가 됨을 유의로 변경하는 경우는, 전기용품의 안전성을 확보하기 위하여, 정기에 의한 안전인증을 받으실 때, 품명, 규격, 재질, 성능 등 인증사유와 일치하지 않는 사항이 발견되면, 인증이 취소될 수 있습니다. *The Safety Certificate will be cancelled under the Safety Control Law for Electrical Appliances if the contents of the Certification is altered without our authorization.*

FP511-10-00



Korea Testing Laboratory

안전인증번호: SU05026-7013A
Certification No.

첨부 2 : 기본모델 · 파생모델의 내용
General description of Certified Products

파생모델명 Derivative model	기본모델과의 차이점 Differences between the basic and derivative model(s)
SMT T4A 250V	Rated current and breaking capacity are changed (T 4 A 250 V, 40 A)
제품특기사항 및 시험조건 Remarks & Test conditions	
<p>1. Test Report Ref. No.: 07-1920-3929 (2007.09.19.)</p> <p>2. Product Description</p> <ul style="list-style-type: none"> - Miniature fuses - Standard sheet 4 - Time-lag type - Low-breaking capacity - T 3.15 A 250 V, 35 A 	
<p><input type="checkbox"/> 본 제품의 시험내용에 관하여 문의하실 사항이 있으시면 아래 연락처로 문의하시기 바랍니다. 시험 담당자 / 연락처: 디지털산업본부 전기전자평가센터 조인철 / (02)860-1425</p> <p><input type="checkbox"/> If you have any question on product testing, please contact the person below : Job holder: Digital Industry Division, Electrics&Electronics Testing Center,, INCHUL CHO/+82 2 8601-425</p>	

FP511-09-00

첨부 3 : 전기용품안전인증의 변경 현황
Status of Certificate Revisions

	변경발급 내용 Contents of Certificate Revisions
	1 st Rev.) EK Certificate update to KC certificate (11-1920-3417 : 2011.06.17.)

FP511-11-00