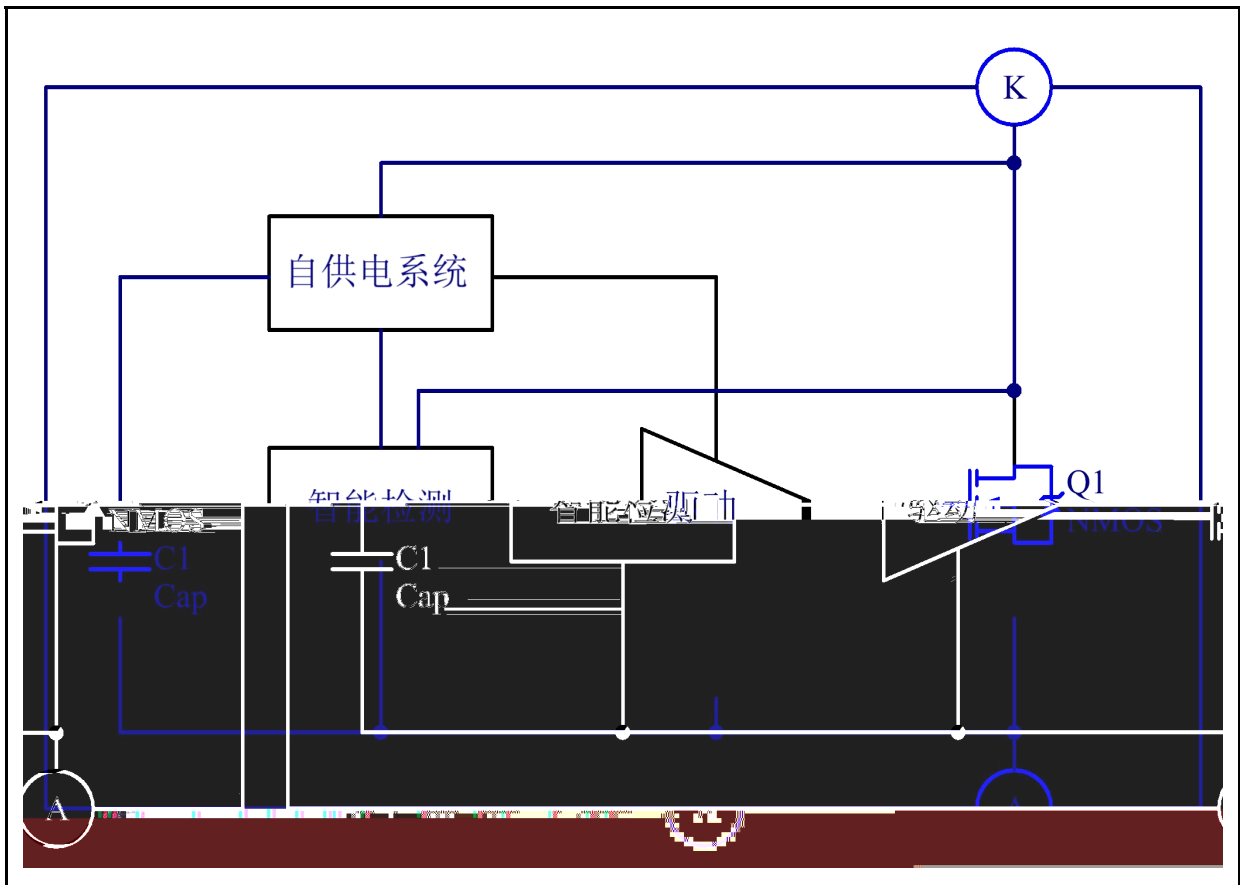




DK5V60R20S	85-265VAC	9V, 2.4A
------------	-----------	----------



&						
<b>NMOS</b>						

1.

2. NMOS

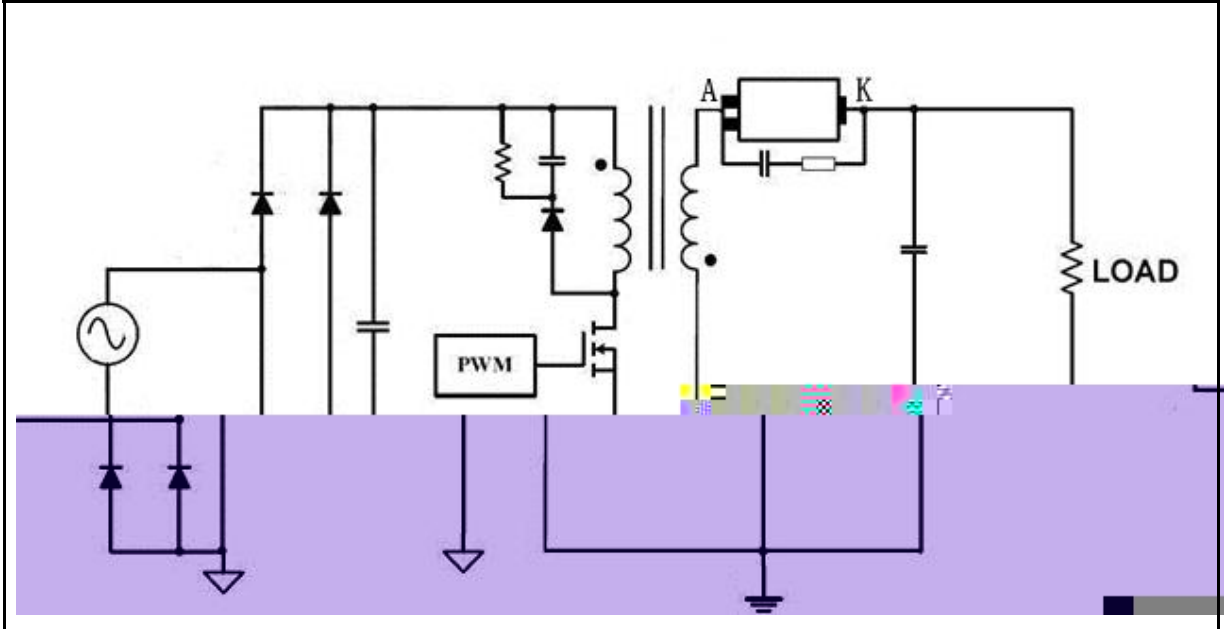
3. RC

4. NMOS

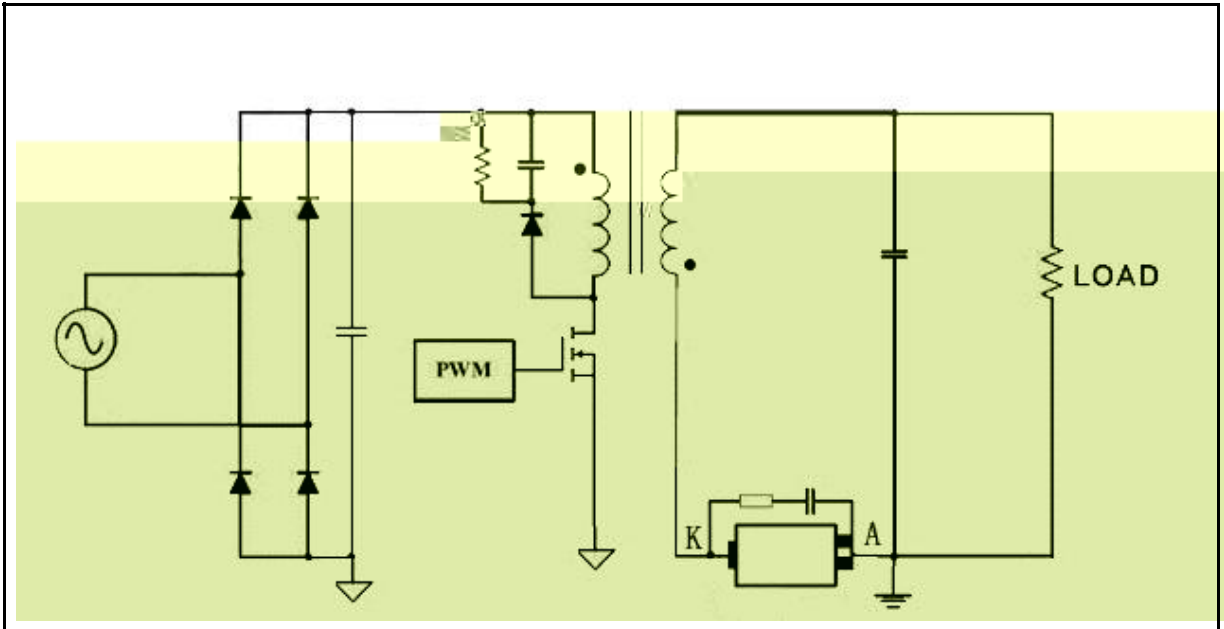
5.



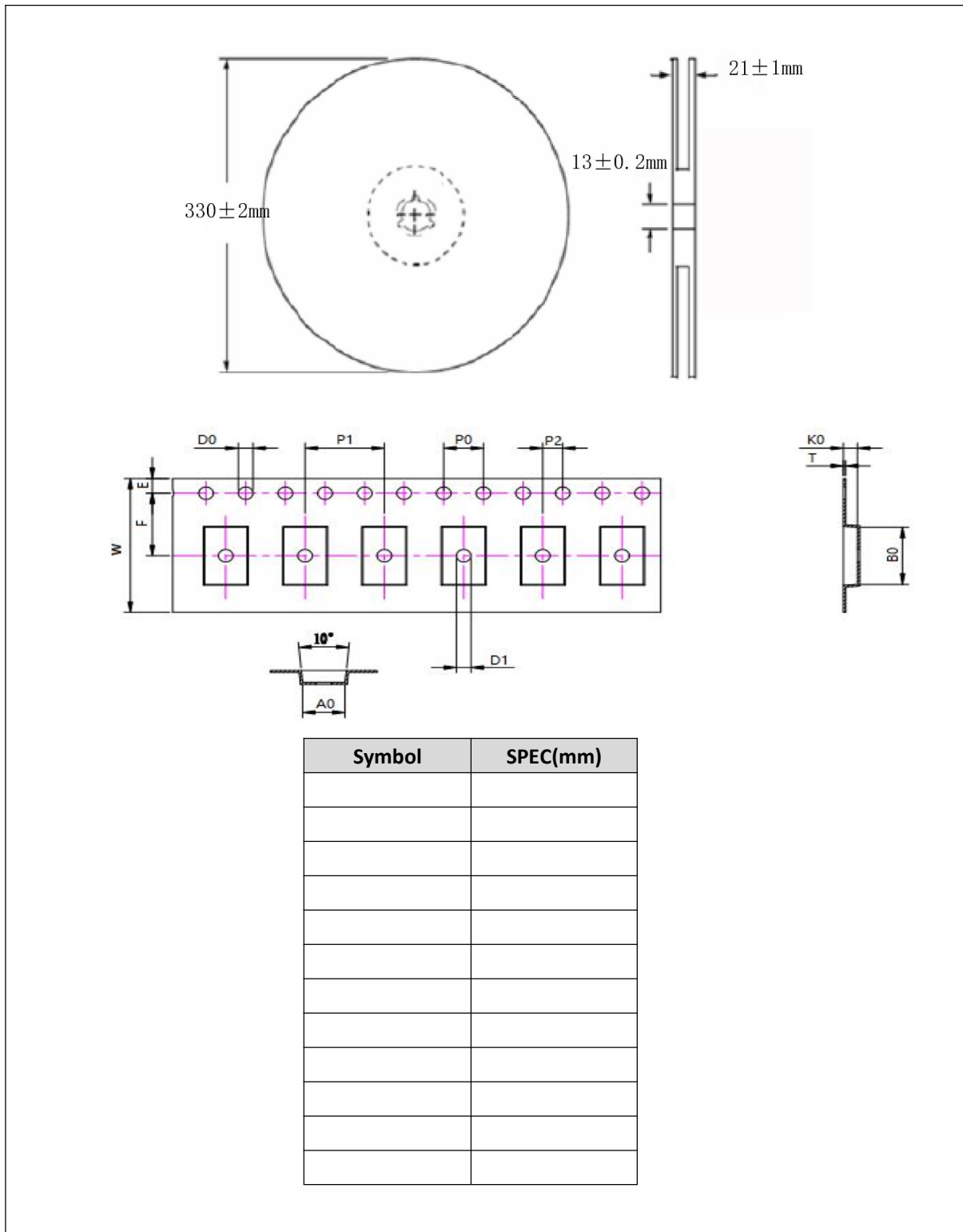
1.

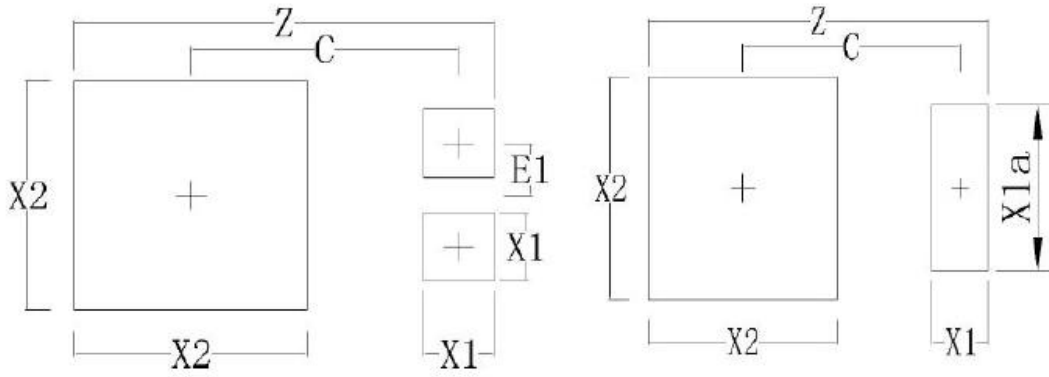


2.









Symbol	Dimensions In Millimeters





- 
- 
- 
- 
- 
- 
- 
  
-