

# Schottky Diodes

## Features



## Typical Applications

## Mechanical Data

### Package



### Terminals

### Polarity

## Maximum Ratings

PARAMETER	SYMBOL	UNIT	20SQ045

## NOTE

## Electrical Characteristics

PARAMETER	SYMBOL	UNIT	TEST CONDITIONS	20SQ045

## Thermal Characteristics

PARAMETER	SYMBOL	UNIT	20SQ045

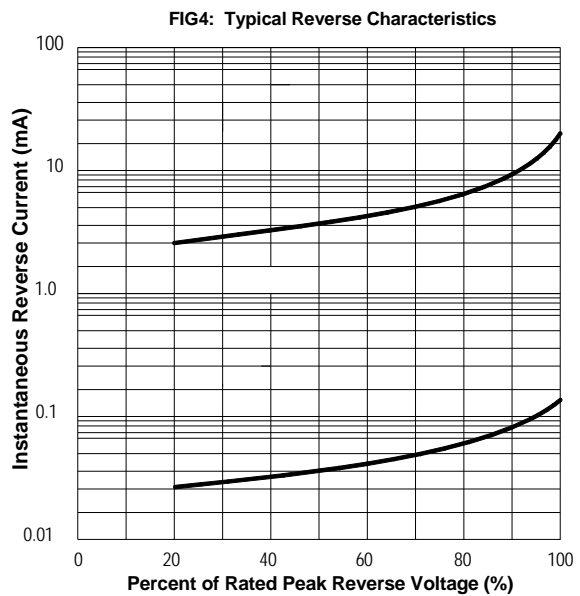
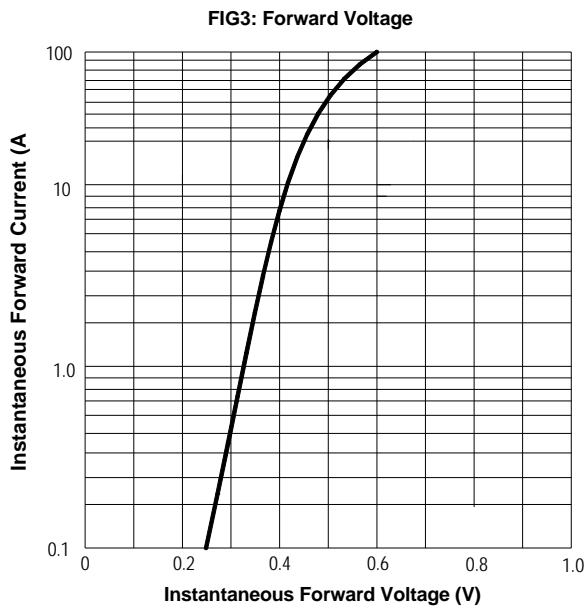
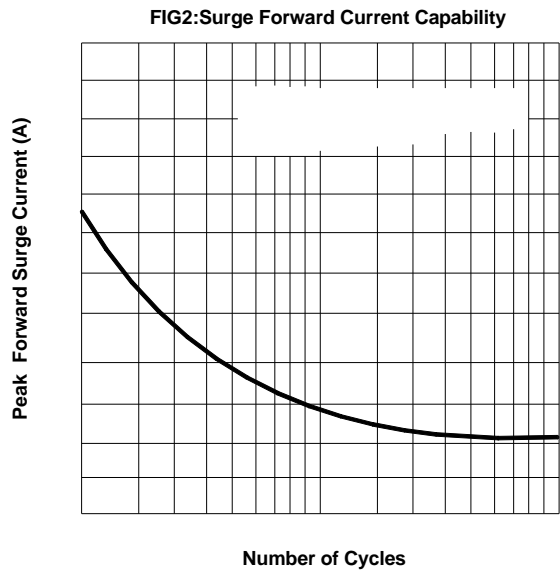
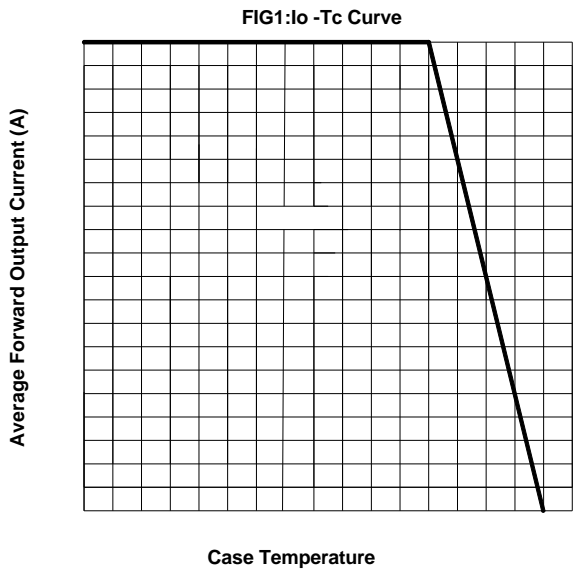


# 20SQ045

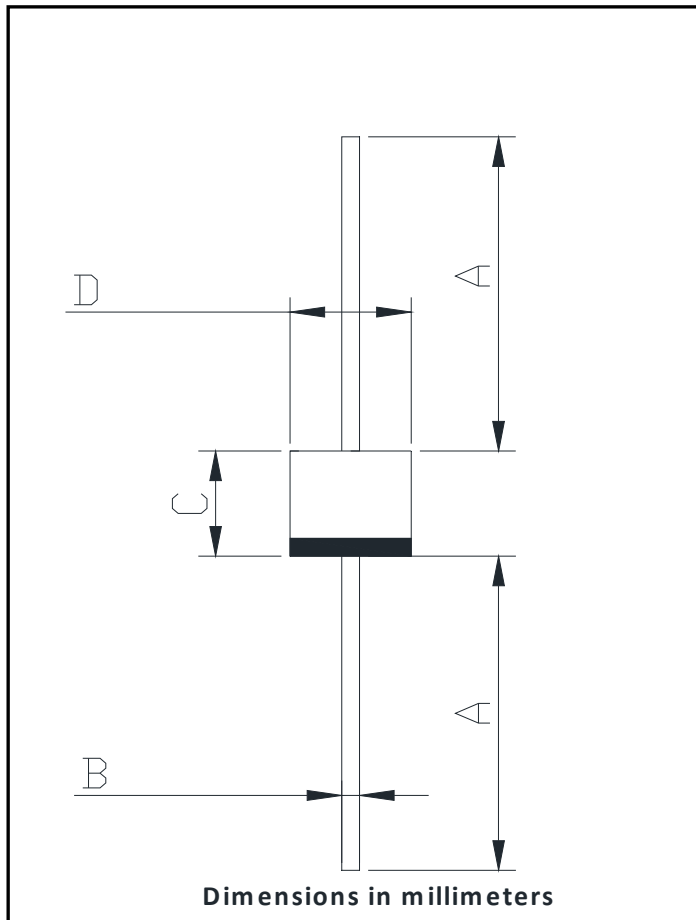
## Ordering Information

PREFERED P/N	UNIT WEIGHT(g)	MINIIMUM PACKAGE(pcs)	INNER BOX QUANTITY(pcs)	OUTER CARTON QUANTITY(pcs)	DELIVERY MODE

## Characteristics



Outline Dimensions



R-6		



**20SQ045**

---

**Disclaimer**

[www.frxelec.com](http://www.frxelec.com)