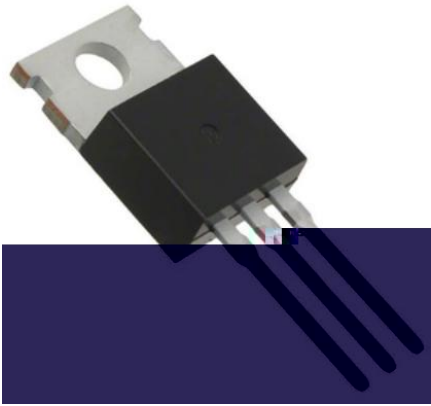


DK5V100R15SC1 ● USB
 A K ●
 PN 100V ● LED
 NMOS

DK5V100R15SC1 TO-220

- PSR SSR
- V_F
-
- 100V 15m NMOS
- CCM DCM&QR
-
-
- EMC
-

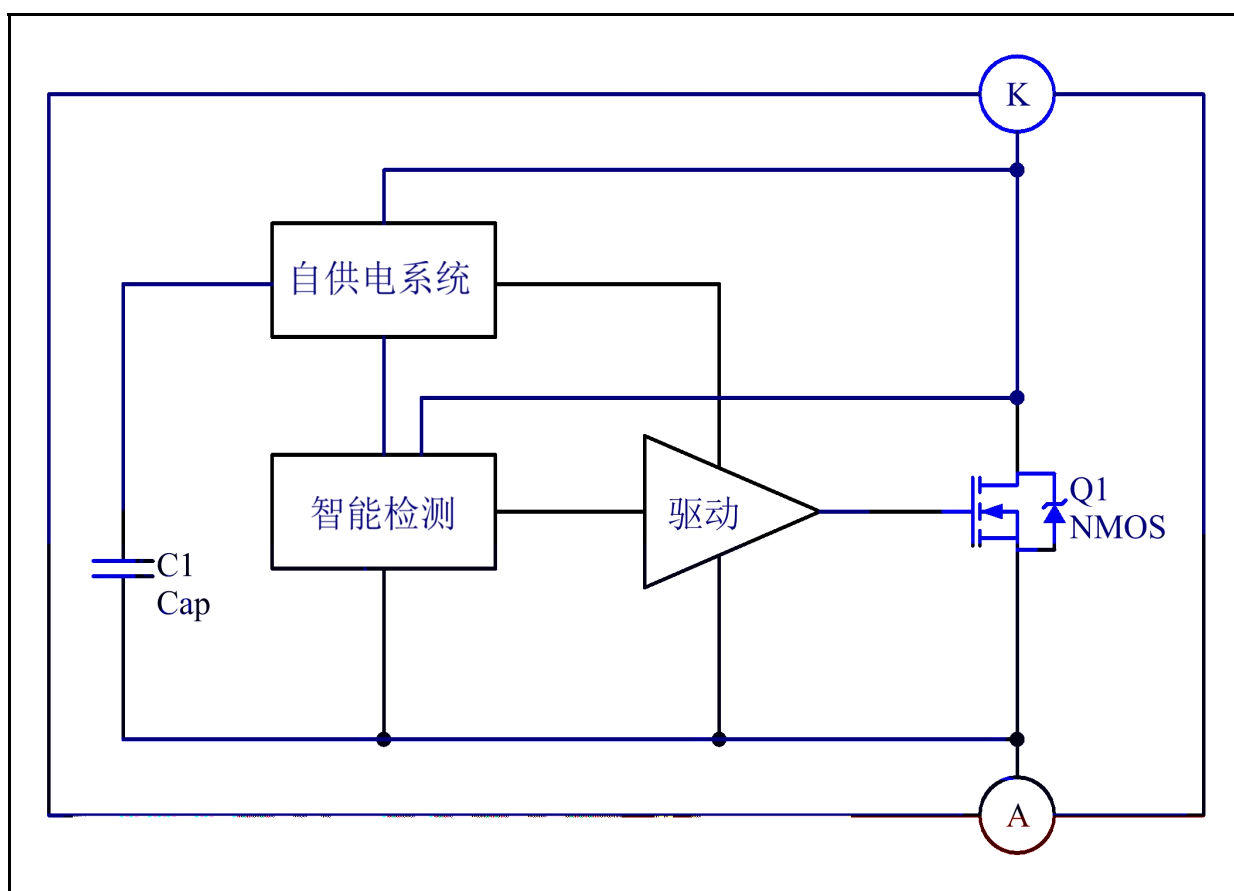


1	NC	
2	K	
3	A	

45

, DK5V100R15SC1

5A



NMOS	$V_{(BR)DSS}$	100			V
NMOS	I_{DSCDC}			40	A
NMOS	I_{DSPDC}			55	A
TO220	P_{DMAX}		180		W
	R_{JA}		62		/W
	R_{JC}		0.9		/W
	T_{STG}	-55		155	
	T_J	-40		150	
			260/5S		
ESD(HBM)			4000		V
ESD(MM)			350		V

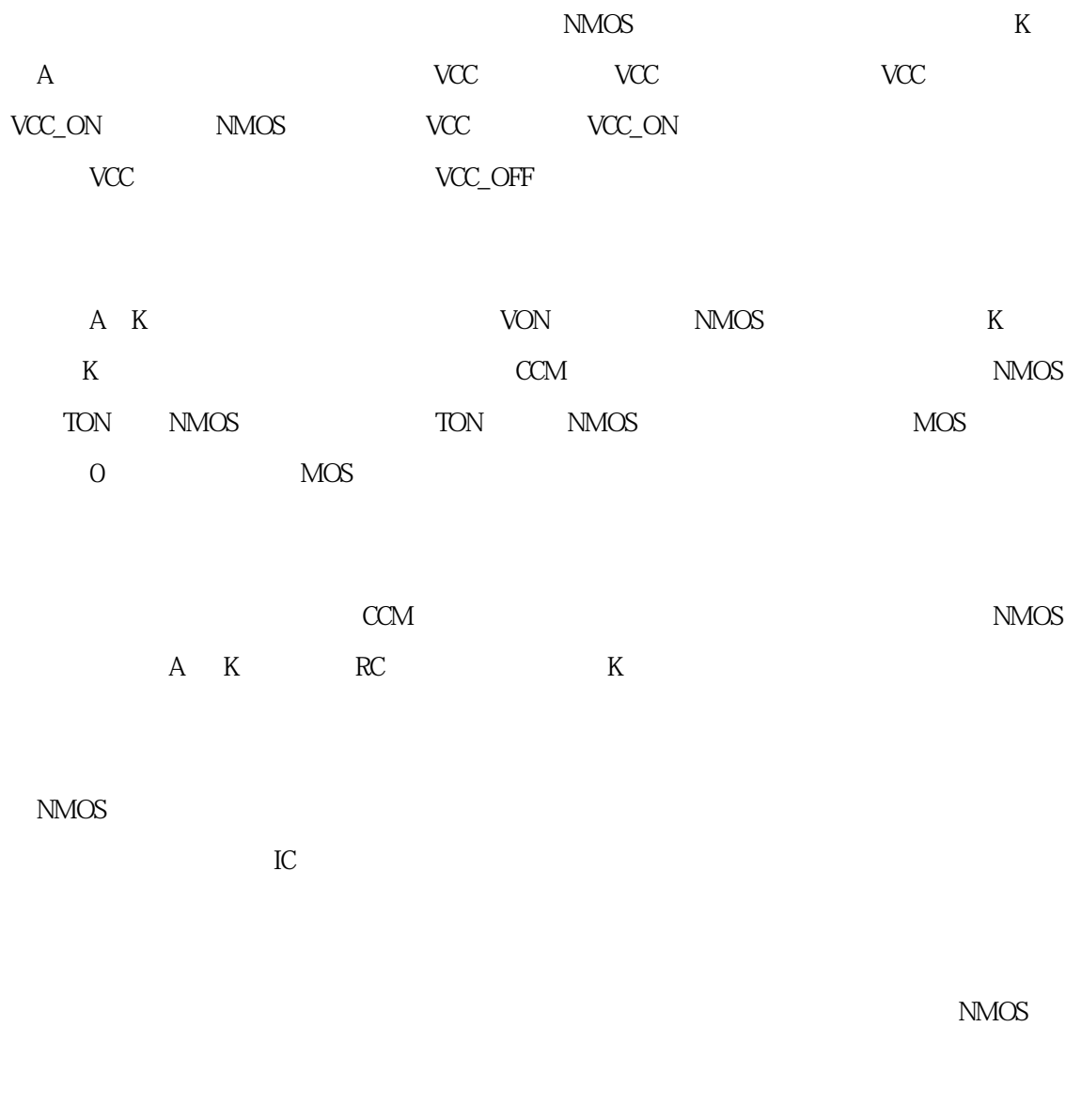
 $T_A = 25$

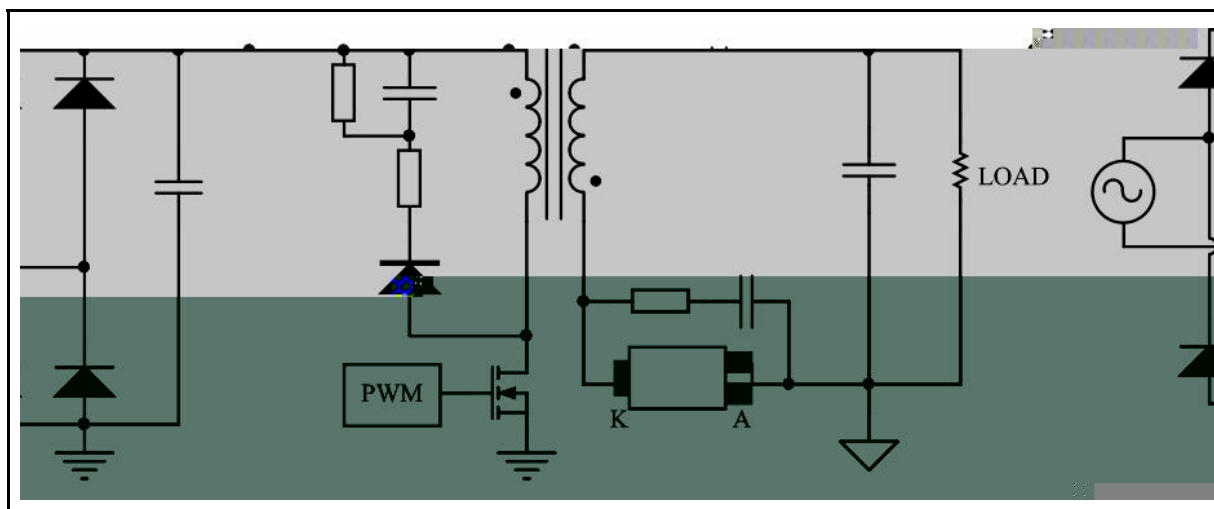
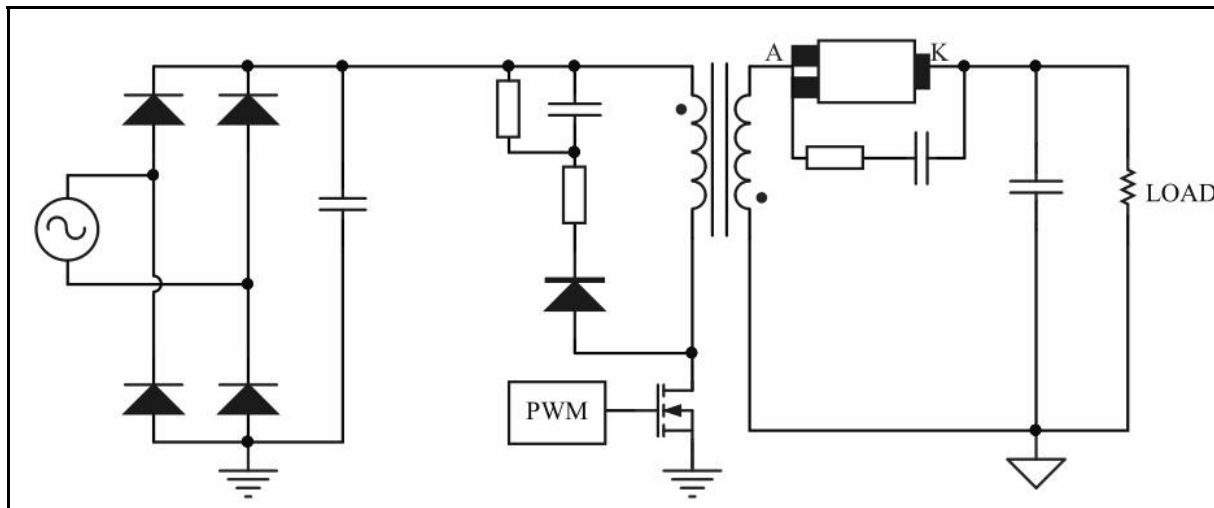
	V_{CC_ON}			5.6		V
	V_{CC_OFF}			3.3		V
	V_{OVP}			8.3		V
NMOS	V_{ON}	K		-200		mV
NMOS	T_{DON}				150	ns
NMOS	T_{DOFF}				50	ns
NMOS	T_{ON_MAX}			20		μ s
	T_D			400		ns
	F_{S_MAX}				150	KHz
NMOS	R_{DS_ON}				15	m

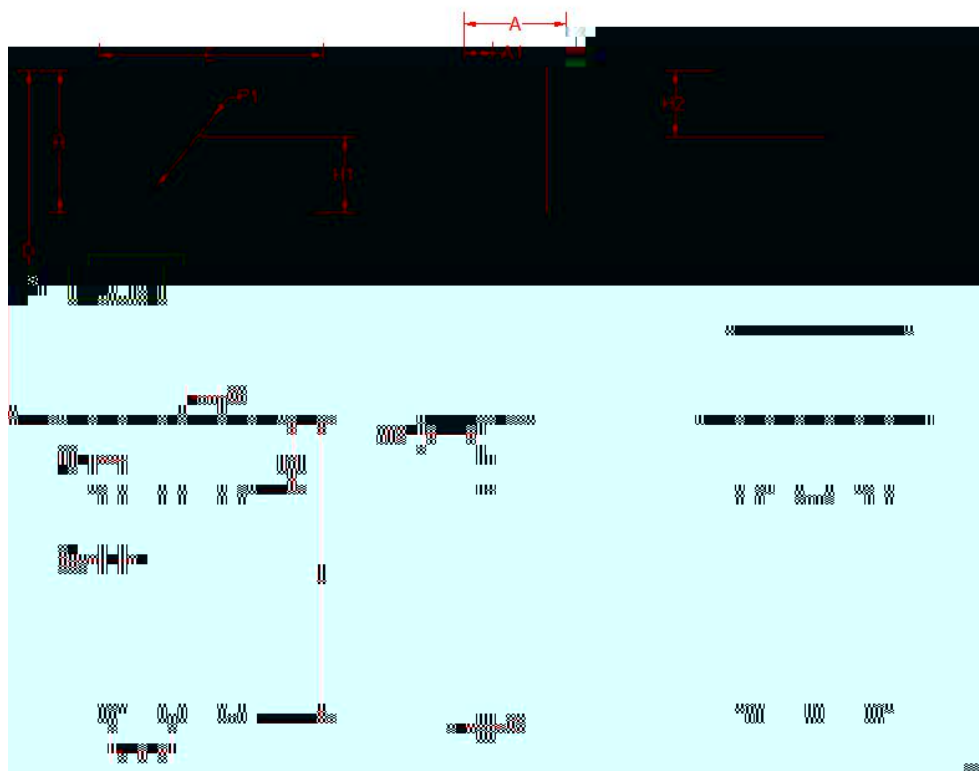
A

K

DK5V100R15SC1







A	4.55	4.60	4.65
A1	1.25	1.30	1.35
A2	2.30	2.35	2.40
C	0.48	0.52	0.55
D	15.50	15.70	15.90
H	6.3REF		
H1	2.50	2.70	2.90
H2	3.40	3.60	3.80
E	9.80	10.00	10.20
G	1.10	1.20	1.30
b1	1.20	1.30	1.40
b2	0.70	0.80	0.90
e	2.54BSC		
L	13.00	13.20	13.40
L1	2.90	3.00	3.10
P1	3.50	3.54	3.60



- ▼
- ▼
- ▼
- ▼
- ▼
- ▼
- ▼

- ▼