

## Schottky Diodes



### Features

- 
- 
- 
- 
- 

### Typical Applications

### Mechanical Data

- Package



- Terminals

- Polarity

### ■ Maximum Ratings ( )

PARAMETER	SYMBOL	UNIT	25SQ045
		°C	
		°C	
	≤	°C	
		°C	
	≤	°C	

### NOTE

①

### ■ Electrical Characteristics ( °C )

PARAMETER	SYMBOL	UNIT	TEST CONDITIONS	25SQ045
			°C	
			°C	

### ■ Thermal Characteristics ( °C )

PARAMETER	SYMBOL	UNIT	25SQ045
	θ	°C	



■ Ordering Information

PREFERED P/N	UNIT WEIGHT(g)	MINIMUM PACKAGE(pcs)	INNER BOX QUANTITY(pcs)	OUTER CARTON QUANTITY(pcs)	DELIVERY MODE

■ Characteristics

FIG1:Io -Tc Curve

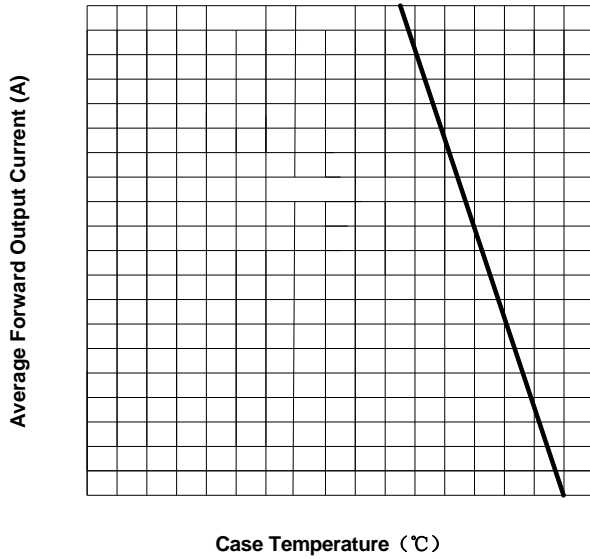


FIG2:Surge Forward Current Capability

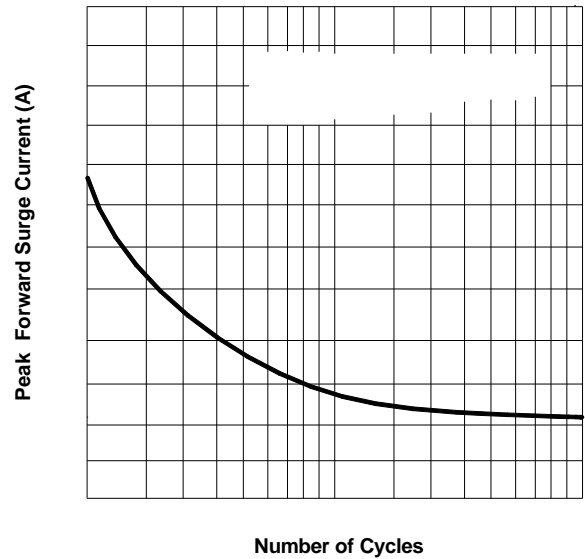


FIG3: Forward Volt

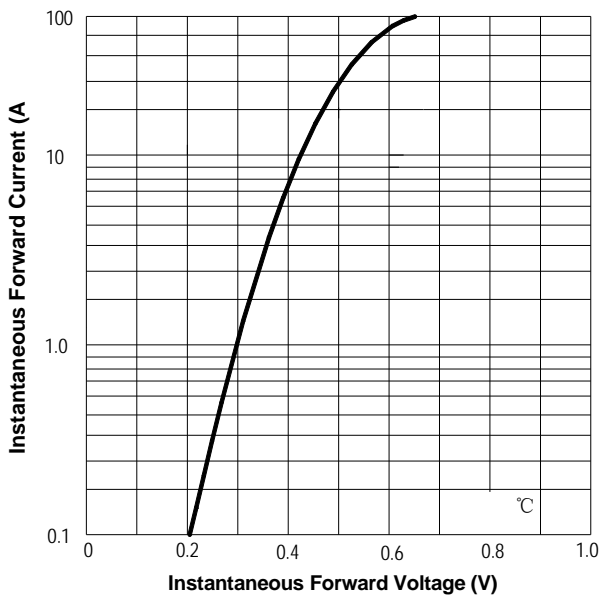
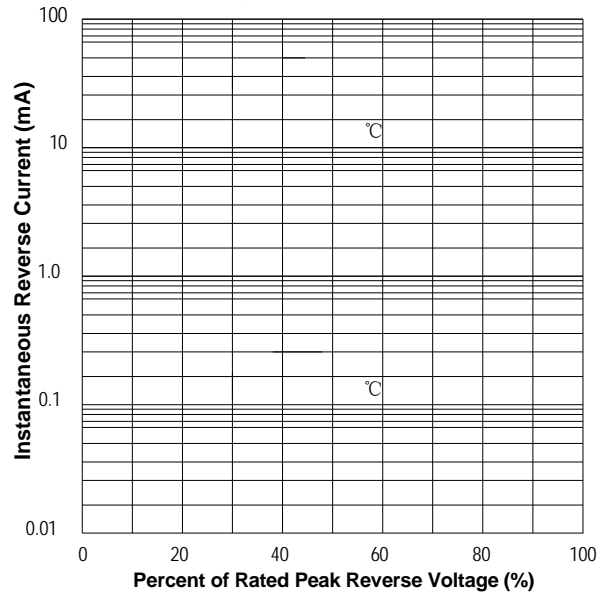
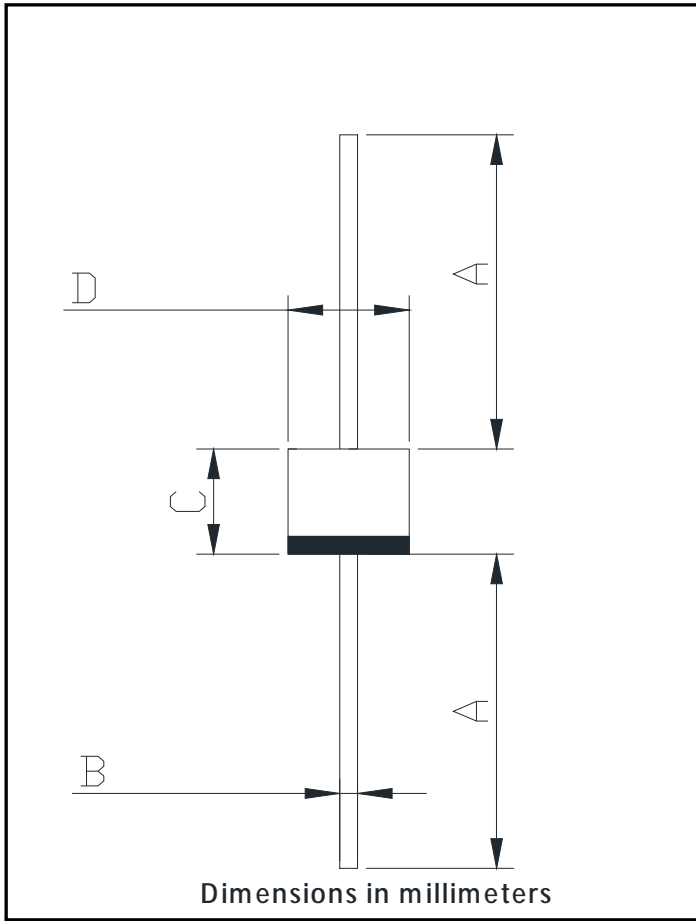


FIG4: Typical Reverse Characteristics



■ Outline Dimensions



R-6		



**25SQ045**

---

**Disclaimer**

[www.frxelec.com](http://www.frxelec.com)