

DK112

AC-DC

CMOS

-
-
-
-
-
-
-

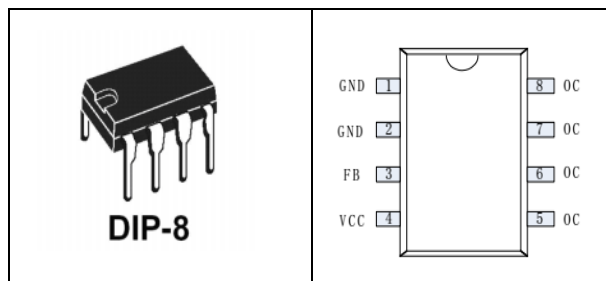
-
-
-
-

PB

-
-
-

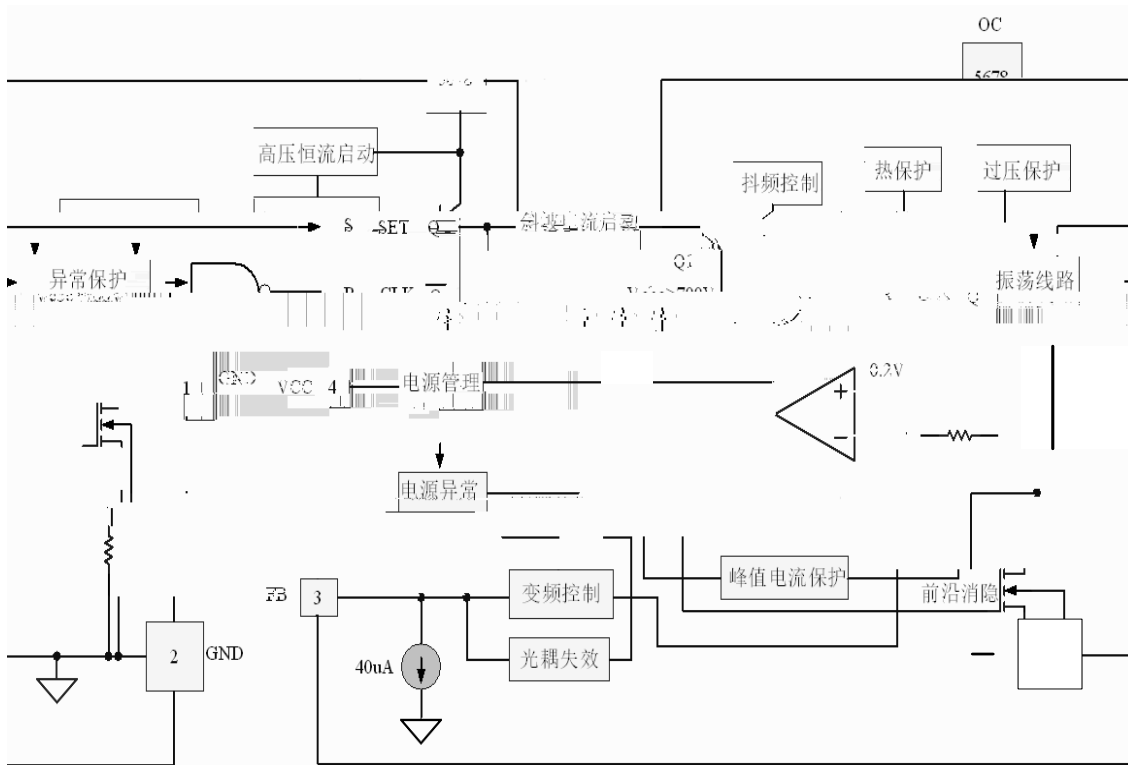
LED

DVD



| | | |
|--|--|--|
| | | |
| | | |
| | | |

| | | |
|---------|-----|-----------|
| | | |
| 1 | GND | |
| 2 | GND | |
| 3 | FB | 1nF 10nF |
| 4 | VCC | 10uF 47uF |
| 5,6,7,8 | OC | |



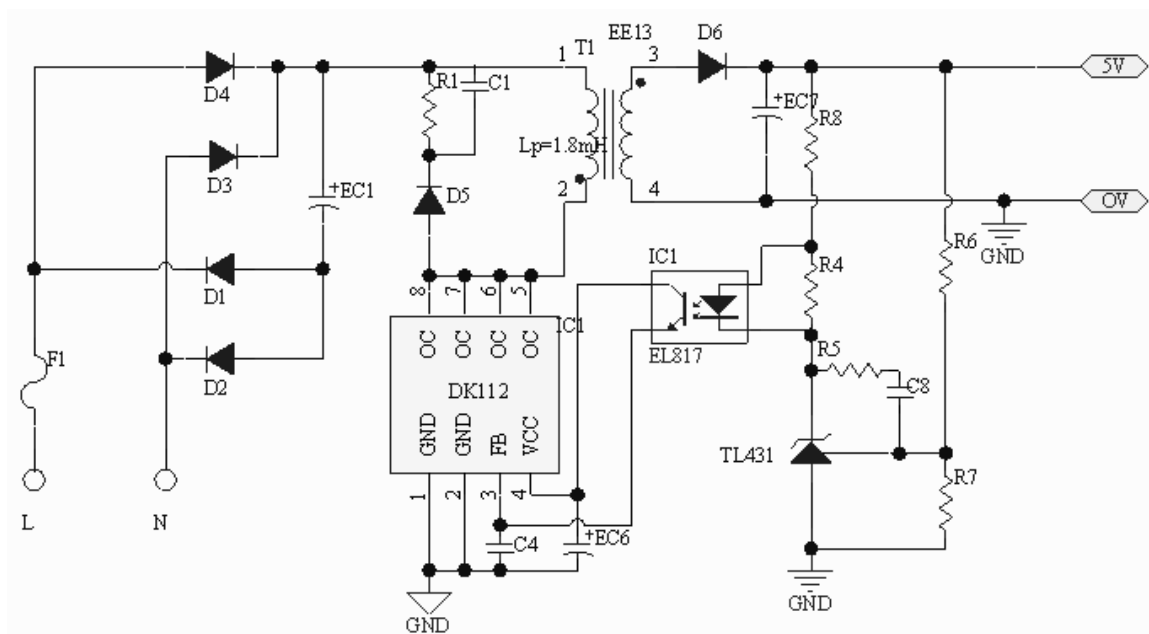
BB

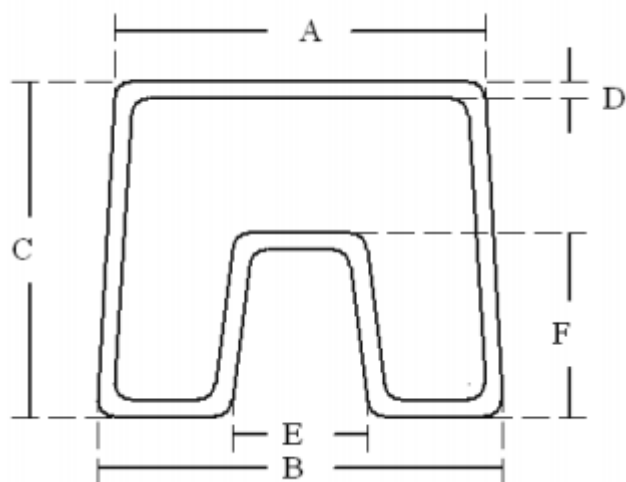
BB

BB

M

$$T3 = 2\pi\sqrt{Lp * C0c}$$





| 代号 | 最小值 (mm) | 额定值 (mm) | 最大值 (mm) |
|----|----------|----------|----------|
| A | 11 | 11.5 | 12 |
| B | 11.5 | 12 | 12.5 |
| C | 10 | 10.5 | 11 |
| D | 0.4 | 0.5 | 0.6 |
| E | 3.5 | 4 | 4.5 |
| F | 5 | 5.5 | 6 |

| 包装 | 数量 |
|------|------|
| 单管 | 50 |
| 每包装箱 | 2000 |
| 每包装箱 | 2000 |



-
-
-
-
-
-
-
-